



3600N+

BARBECUE INSTALLATION GUIDE

UNIVERSAL LIQUEFIED PETROLEUM GAS



Thank you for purchasing a WEBER barbecue.

Now take a few minutes and protect it by registering your product online at www.weber.com.



NOTICE TO INSTALLER

These instructions must be left with the owner, who should keep them for future use.

Contact your local municipality for building codes regulating outdoor gas barbecue installations.

WE RECOMMEND THAT THIS INSTALLATION BE DONE BY A PROFESSIONAL.

IMPORTANT!

If you are installing this barbecue into an existing structure, you must closely observe the following information from the "Planning Ahead" section of this manual:

- 1) "Ventilation"
- 2) "Cutout Dimensions and Tolerances"
- 3) "Clearances from Combustible Materials"
- 4) "Lid Clearances"
- 5) "Planning the LPG Cylinder Compartment"

If your existing structure does not meet specified criteria outlined in this manual, adjustments must be made before installing barbecue.

Q3600N+ LPG

AU - Australia

NZ - New Zealand

29/01/24

WARNINGS

⚠ DANGER

Failure to follow the DANGERS, WARNINGS, and CAUTIONS contained in this Owner's Guide may result in serious bodily injury or death, or may result in a fire or an explosion causing damage to property.

WARNINGS:

- ⚠ Improper assembly of barbecue may be dangerous. Please follow the assembly instructions carefully.
- ⚠ Do not use this barbecue unless all parts are in place. The barbecue must be properly assembled according to the assembly instructions.
- ⚠ Your WEBER gas barbecue should never be used by children. Accessible parts of the barbecue may be very hot. Keep young children away while barbecue is in use.
- ⚠ Exercise caution when using your WEBER gas barbecue. It will be hot during cooking or cleaning, and should never be left unattended, or moved while in operation.
- ⚠ Do not use charcoal or lava rock in your WEBER gas barbecue.
- ⚠ While igniting the barbecue or cooking, never lean over open barbecue.
- ⚠ Never place hands or fingers on the front edge of the cookbox when the barbecue is hot or the lid is open.
- ⚠ Do not attempt to disconnect the gas regulator and hose assembly or any gas fitting while your barbecue is in operation.
- ⚠ Use heat-resistant barbecue mitts or gloves when operating barbecue.
- ⚠ Use the pressure regulator and hose assembly that is supplied with your WEBER gas barbecue.
- ⚠ Should the burners go out while barbecue is in operation, turn all gas valves off. Open the lid and wait five minutes before attempting to relight barbecue, using the igniting instructions.
- ⚠ Do not install in, or connect to the consumer piping or gas supply of a boat or caravan.
- ⚠ Do not store an extra (spare) or disconnected LPG cylinder under or near this barbecue.
- ⚠ After a period of storage and/or nonuse, the WEBER gas barbecue should be checked for gas leaks and burner obstructions before use. See instructions in this Owner's Guide for correct procedures.
- ⚠ Do not operate the WEBER gas barbecue if there is a gas leak present.
- ⚠ Do not use a flame to check for gas leaks.
- ⚠ Do not put a barbecue cover or anything flammable on, or in the storage area under the barbecue while barbecue is in operation or is hot.
- ⚠ Universal liquefied petroleum gas is not natural gas. The conversion or attempted use of natural gas in a universal liquefied petroleum gas unit or universal liquefied petroleum gas in a natural gas unit is dangerous and will void your warranty.
- ⚠ Keep any electrical supply cord and the fuel supply hose away from any heated surfaces.
- ⚠ Do not enlarge valve orifices or burner ports when cleaning the valves or burners.
- ⚠ The WEBER gas barbecue should be thoroughly cleaned on a regular basis.
- ⚠ A dented or rusty LPG cylinder may be hazardous and should be checked by your gas supplier. Do not use an LPG cylinder with a damaged valve.
- ⚠ Although your LPG cylinder may appear to be empty, gas may still be present, and the LPG cylinder should be transported and stored accordingly.
- ⚠ If you see, smell, or hear the hiss of gas escaping from the LPG cylinder:
 1. Move away from LPG cylinder.
 2. Do not attempt to correct the problem yourself.
 3. Call your fire department.
- ⚠ Should a grease fire occur, turn off all burners and leave lid closed until fire is out.
- ⚠ WARNING: Your WEBER gas barbecue shall not be used under overhead combustible construction.
- ⚠ Do not use the barbecue within 46 cm (18 in) of combustible materials. This includes the top, bottom, back, or sides of the barbecue.



TABLE OF CONTENTS

WARNINGS	2
TABLE OF CONTENTS	3
PARTS LIST	4
PLANNING AHEAD	5
DETERMINING THE PROPER LOCATION FOR YOUR BARBECUE	5
CONSIDERATIONS FOR LOCATING YOUR BARBECUE	5
RECOMMENDED GAS SUPPLY LOCATION	6
RECOMMENDED CONSTRUCTION MATERIALS.....	6
VENTILATION	6
BARBECUE DIMENSIONS	7
BARBECUE CUTOUT DIMENSIONS	7
REQUIRED CLEARANCES FROM COMBUSTIBLE MATERIALS	8
REQUIRED CLEARANCES FROM NONCOMBUSTIBLE MATERIALS	8
PLANNING THE LPG CYLINDER COMPARTMENT.....	9
CONSTRUCTION DETAILS	10
DRAW UP YOUR PLANS	10
PREPARING TO INSTALL	12
PERFORMING A LEAK CHECK BEFORE INSTALLATION	12
PREPARING YOUR BARBECUE FOR A LEAK CHECK	12
CONNECTING THE HOSE & REGULATOR TO THE LPG CYLINDER.....	13
CHECKING FOR GAS LEAKS.....	14
REASSEMBLY FOR PERMANENT INSTALLATION.....	15
INSTALLATION	17
TEST FITTING AND INSTALLING THE BARBECUE UNIT INTO THE STRUCTURE	17
FINAL ASSEMBLY	18
FINAL GAS SUPPLY CONNECTION	22
CONNECTING THE HOSE / REGULATOR TO THE LPG CYLINDER.....	22
CHECKING FOR GAS LEAKS.....	22

PLANNING AHEAD

DETERMINING THE PROPER LOCATION FOR YOUR BARBECUE

When determining a location for your built-in barbecue, keep in mind wind exposure, traffic paths, and ability to keep gas supply lines as short as possible. Also consider mechanical installation such as electrical outlets and lighting to be incorporated into the built-in barbecue structure. Never locate the built-in gas barbecue in a garage, breezeway, or shed, under an unprotected overhang, or in any other enclosed area. Position the barbecue and structure so there is enough room to safely evacuate the area in case of a fire.

If an electrical source is utilised, this built-in gas barbecue, when installed, must be electrically grounded in accordance with local codes, or in absence of local codes, with the following Australia/New Zealand standard code AS/NZS 5601.1. A properly buried and shielded cable must be installed and electrically grounded in accordance with electrical codes.

⚠ WARNING: Do not run electrical extension cords to the house to supply electricity to your barbecue structure.

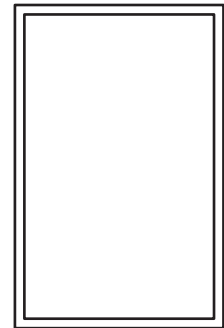
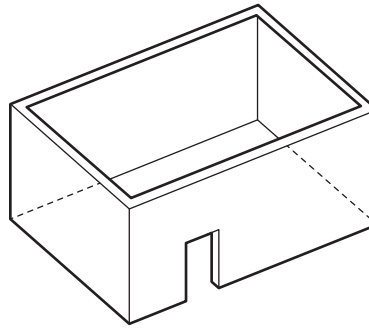
⚠ WARNING: Only use this barbecue outdoors in a well-ventilated area. Do not use in a garage, building, breezeway or any other enclosed area.

CONSIDERATIONS FOR LOCATING YOUR BARBECUE

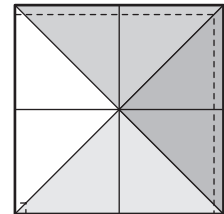
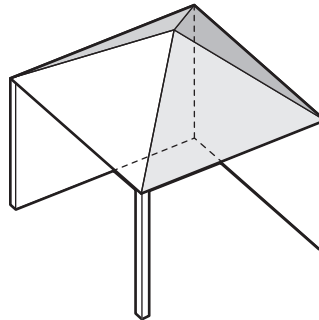
Any enclosure in which the appliance is used shall comply with one of the following:

- An enclosure with walls on all sides, but at least one permanent opening at ground level and no overhead cover (1).
- Within a partial enclosure that includes an overhead cover and no more than two walls (2).
- Within a partial enclosure that includes an overhead cover and more than two walls, the following shall apply (3):
 - (a) at least 25% of the total wall area is completely open; and
 - (b) at least 30% of the remaining wall area is open and unrestricted.
- In the case of balconies, at least 20% of the total of the side, back and front wall areas shall be and remain open and unrestricted.

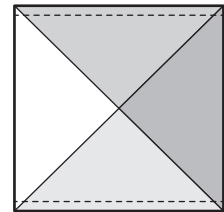
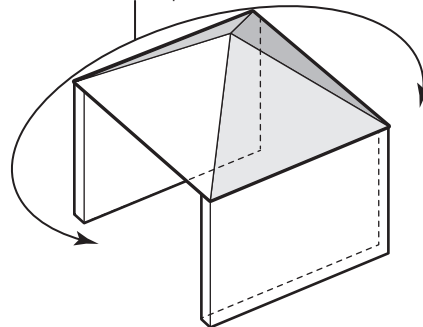
1



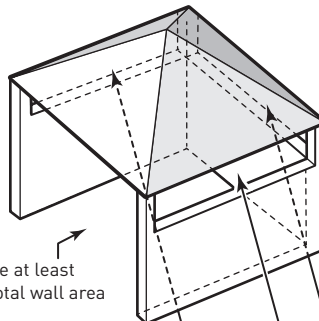
2



Both ends open

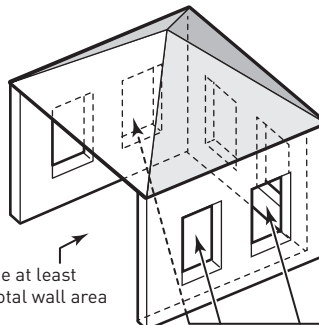


3



Open side at least 25% of total wall area

30% or more in total of the remaining wall area is open and unrestricted



Open side at least 25% of total wall area

30% or more in total of the remaining wall area is open and unrestricted

PLANNING AHEAD

RECOMMENDED GAS SUPPLY LOCATION

It is important to consider the proximity of the barbecue (1) to the gas supply (2) of your built-in barbecue structure. The gas supply needs to be located directly below the right side of the barbecue, or to the right of the barbecue within the structure.

If there are local codes that apply to "built-in" gas barbecues, you will have to conform to them. Installation must conform with local codes or, in the absence of local codes, with the National Code as applicable.

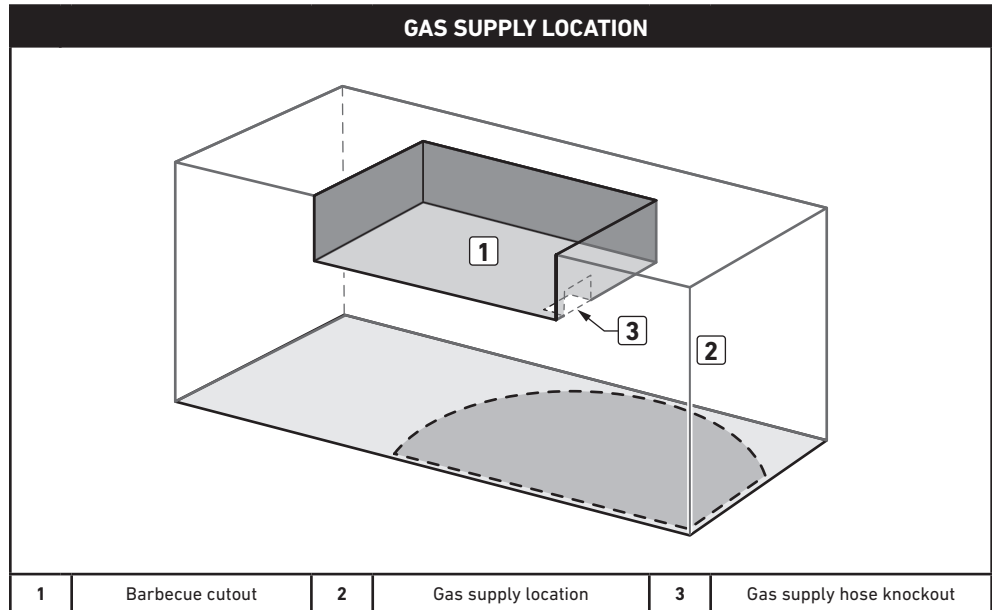
When using a gas supply system in an enclosure, ventilation must be provided. Gas vapour is highly explosive and can cause serious bodily injury or damage to property if allowed to accumulate in a confined space and ignited.

RECOMMENDED CONSTRUCTION MATERIALS

We recommend that the construction and installation of this barbecue is in a masonry structure and carried out by a professional tradesperson. Masonry such as stone or brick, and noncombustible countertops such as marble or granite, is preferred. Other noncombustible material along with metal studs may also be used.

IMPORTANT: Wood or other combustible material are not acceptable for the construction of the barbecue structure.

NOTE: Contact your local municipality for building codes regulating outdoor gas barbecue installations. In absence of Local Codes, you must conform to the latest edition of AS/NZS 5601.1.



VENTILATION

The internal compartments of the barbecue structure must be properly ventilated. To prevent gas from building up inside of the barbecue structure in the event of a gas leak, cross ventilation of the barbecue structure is required. Ventilation will also allow moisture to dry.

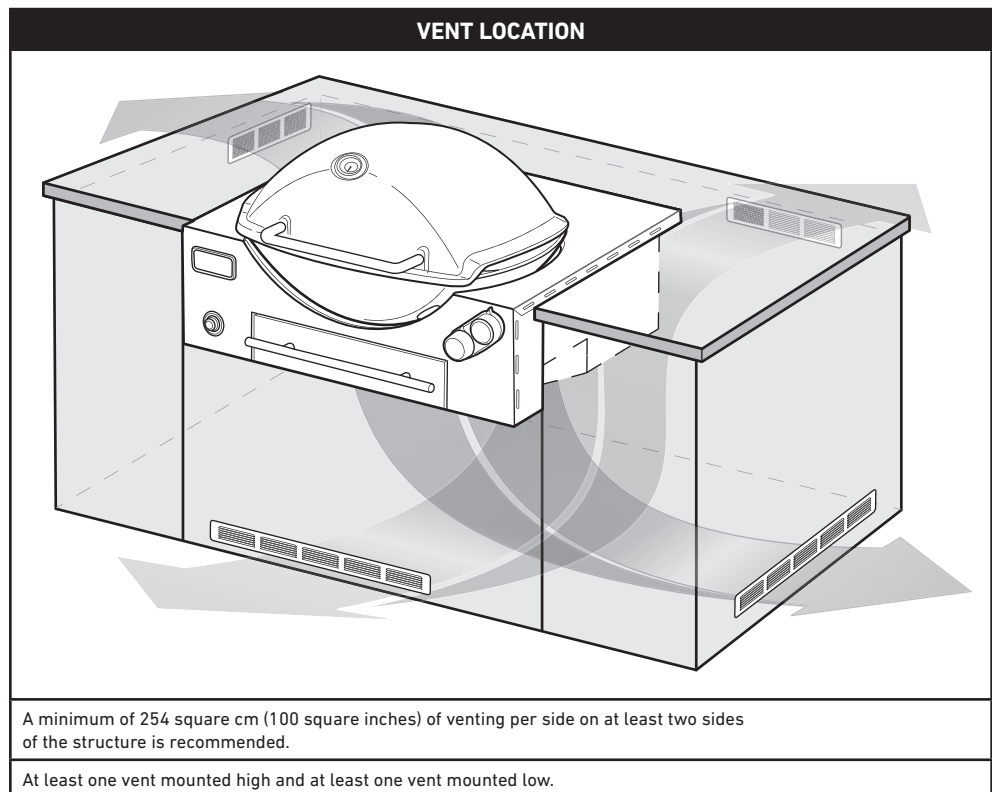
⚠ DANGER

Failure to follow recommended minimum ventilation instructions can cause gas to collect in the structure in the event of a gas leak. This may result in a fire or an explosion which can cause serious bodily injury or death, and damage to property.

- A minimum of 254 square cm (100 square inches) of venting per side on at least two sides of the structure is recommended.
- Ventilation openings can be located in a low visibility area and should be protected by screening material to prevent rodents and insects from entering the structure.
- At least one vent should be mounted high and at least one vent should be mounted low.
- The lower vents should be as close to ground level as possible. Make sure that the vent area is not blocked by interior supports of the structure.
- Access doors to the structure are not considered vents.

⚠ WARNING: Ventilation openings must be provided in the structure, with at least one mounted high and at least one mounted low, to provide cross ventilation in the event of a gas leak.

⚠ WARNING: Keep the ventilation openings of the enclosure free and clear of debris.



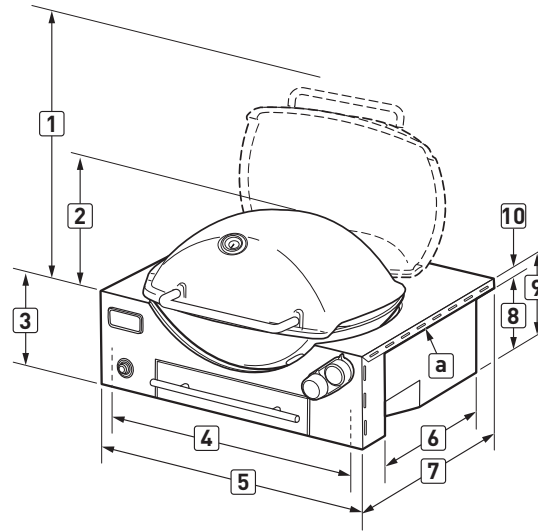
PLANNING AHEAD

Consider all of the following dimensions to help determine space limitations and the best location for your barbecue installation.

BARBECUE DIMENSIONS

The Q3600N+ built-in gas barbecue is designed for easy installation in new and existing built-in masonry structures. The barbecue drops into the cutout opening and hangs from the barbecue cabinet mounting flange. The barbecue cabinet mounting flange must rest on the surface of the countertop in order to allow for proper ventilation.

Q3600N+ DIMENSIONS



1	573 mm (22.56")	6	437 mm (17 ¹ / ₈ ")
2	220 mm (8.67")	7	622 mm (24 ¹ / ₂ ")
3	258 mm (10 ¹ / ₈ ")	8	225 mm (8 ⁷ / ₈ ")
4	813 mm (32")	9	253 mm (9 ¹ / ₈ ")
5	864 mm (34")	10	29 mm (1 ¹ / ₈ ")
a Mounting flange			

BARBECUE CUTOUT DIMENSIONS

Cabinet depth (6) has to be a minimum of 660mm (excludes countertop overhang).

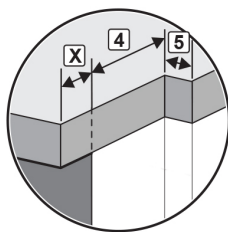
The Q3600N+ built-in gas barbecue unit should be on site before construction begins.

All dimensions specified in this manual are to finished surfaces of your built-in structure.

To recess the barbecue into your cabinet a 25 mm wide (5) x 65 mm deep (4) x 230 mm high (2) notch is required on both sides of the cutout. This notch enables the barbecue to sit against the face of the built-in cabinet.

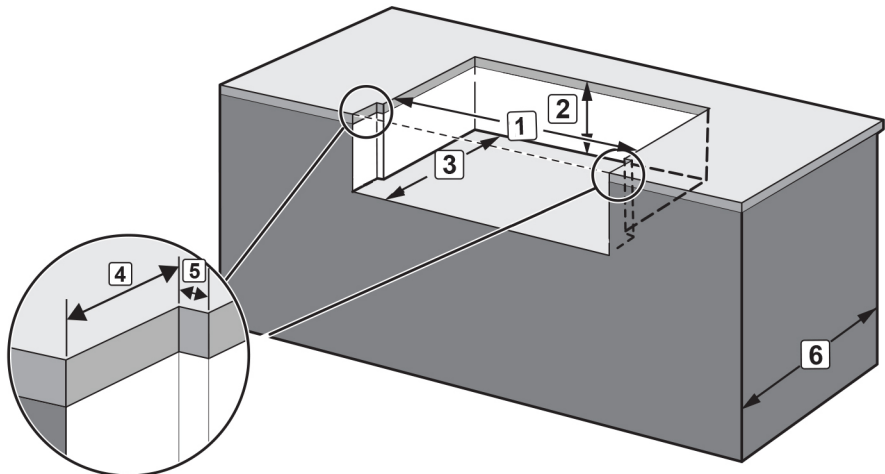
⚠ WARNING: Notch depth (4) must not exceed 65 mm. This prevents the ventilation holes in the side of the built in unit from being obstructed which may cause the barbecue to overheat, alter its performance and may affect your warranty.

It is important to note that if your countertop has an overhang depth (X) must be added to the notched depth (4). See below.



⚠ WARNING: The structure, countertops, and adjacent work areas for the built-in barbecue installation must be constructed from noncombustible materials only.

CUTOUT DIMENSIONS AND TOLERANCES



	CUTOUT DIMENSIONS	TOLERANCES
1	820 mm (32.28")	+2 mm
2	230 mm (9.05")	+3 mm
3	570 mm (22.44")	+6 mm
4	65 mm (2.55")	+2 mm
5	25 mm (0.98")	+2 mm
6	660 mm (25.98") minimum	n/a
X	Allowance for countertop overhang (typically 20 mm)	n/a

PLANNING AHEAD

REQUIRED CLEARANCES FROM COMBUSTIBLE MATERIALS

Clearance dimensions indicate the minimum allowable distance from the edge of the cookbox to any combustible materials.

⚠ WARNING: The structure, countertops, and adjacent work areas for the built-in barbecue installation must be constructed from noncombustible materials only.

NOTE: If you have questions on which materials are considered noncombustible, contact your local building materials supplier or fire department.

CLEARANCES FROM COMBUSTIBLE MATERIALS

1	Q3600N+ cookbox
2	457 mm (18") from edge of cookbox to any combustible surface

REQUIRED CLEARANCES FROM NONCOMBUSTIBLE MATERIALS

If your installation is to be adjacent to noncombustible materials, you must consider these dimensions for minimum lid clearances.

⚠ WARNING: The structure, countertops, and adjacent work areas for the built-in barbecue installation must be constructed from noncombustible materials only.

NOTE: If you have questions on which materials are considered noncombustible, contact your local building materials supplier or fire department.

LID CLEARANCES - INSTALLATION ADJACENT TO A NONCOMBUSTIBLE WALL

	DIMENSIONS	DESCRIPTION
1	25 mm (1")	Minimum behind for lid clearance
2	89 mm (3.5")	Minimum from edge of cutout to wall
3	76 mm (3")	Minimum above for lid clearance
4	635 mm (25")	Minimum countertop to lid clearance height

a	Wall made from noncombustible materials
---	---

PLANNING AHEAD

PLANNING THE LPG CYLINDER COMPARTMENT

The LPG cylinder compartment shall house the included hose and regulator assembly. The hose and regulator are required parts of the Q3600N+ built-in gas barbecue.

A properly constructed cylinder compartment meets the requirements for venting and separation of the LPG cylinder from the barbecue. An LPG cylinder compartment shall be ventilated by openings at both the upper and lower levels of the cylinder. The surface inside the cylinder compartment should be level so that the LPG cylinder can sit upright. Do not place the LPG cylinder on its side.

Cylinder compartments shall have permanent openings ventilating to the outside of the appliance, and consisting of either—

- (a) perforations, uniformly distributed over the height of the enclosure and with a total free area of not less than 25% of the sidewall area; or
- (b) separate openings at high and low level, such that—
 - (i) the total free area at high levels not less than 200 cm² and is within 125 mm of the top of the cylinder compartment; and is
 - (ii) the total free area low level is not less than 200 cm² and—
 - (A) at least 25% of the required area is within 15 mm of the base of the cylinder compartment;
 - (B) the total required area is within 125 mm of the base of the cylinder compartment area; and
 - (C) the opening cannot be obstructed by the cylinder(s).

NOTE: Contact your local municipality for building codes regulating outdoor gas barbecue installations. You must conform to the latest edition of the local and national code as applicable.

⚠ DANGER

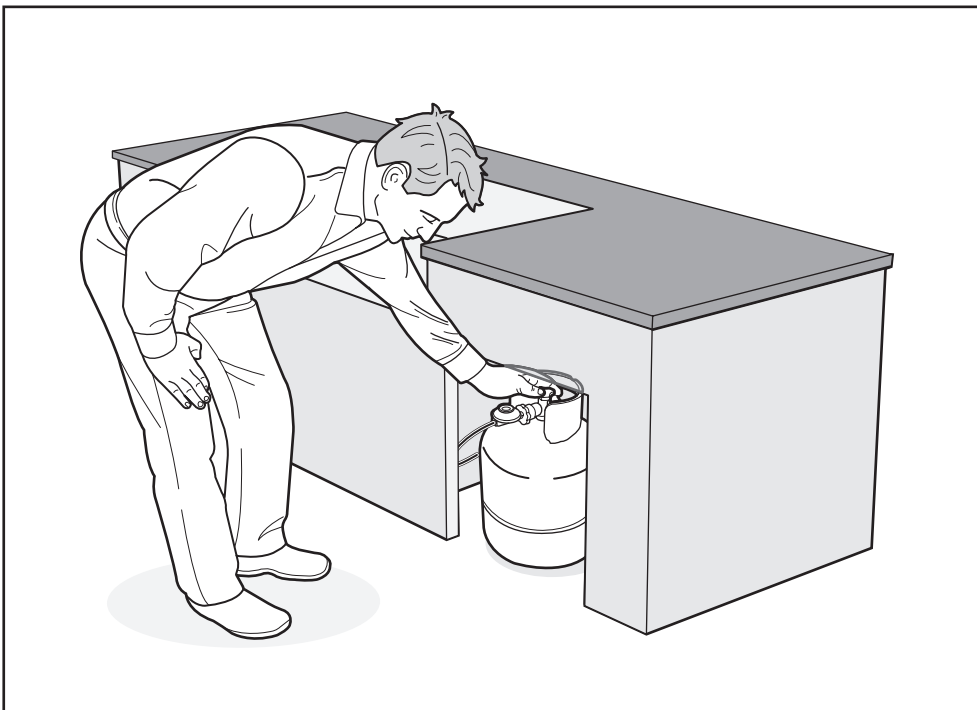
Failure to build an LPG cylinder enclosure for a minimum 9 kg cylinder following the requirements for ventilation, cylinder retention, and separation of the LPG cylinder from a heat source, could be dangerous, and could result in a fire or an explosion causing serious bodily injury or death and damage to property.

Area should be kept clear of sharp, jagged, or extremely abrasive surfaces to avoid possible damage to gas supply lines. Exercise caution when pulling gas lines through built-in structure.

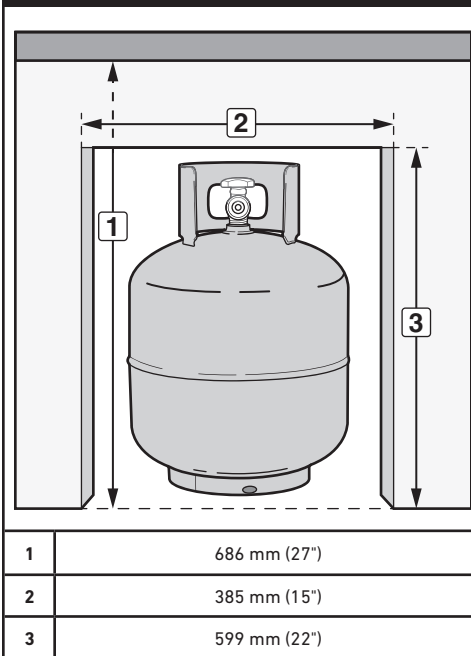
The LPG cylinder, hose/regulator, and bulkhead must be easily accessible. The height of the tank enclosure (1) must be at least 686 mm (27") from its floor to its ceiling. The width of the door opening (2) must be at least 385 mm (15") from side to side. The height of the door opening (3) must be at least 559 mm (22") from top to bottom.

⚠ DANGER

Use of any other hose and regulator assembly could be dangerous, and may not provide adequate gas supply to the Q3600N+ built-in gas barbecue, and could result in a fire or an explosion causing serious bodily injury or death and damage to property.



LPG CYLINDER COMPARTMENT OPENING CLEARANCES



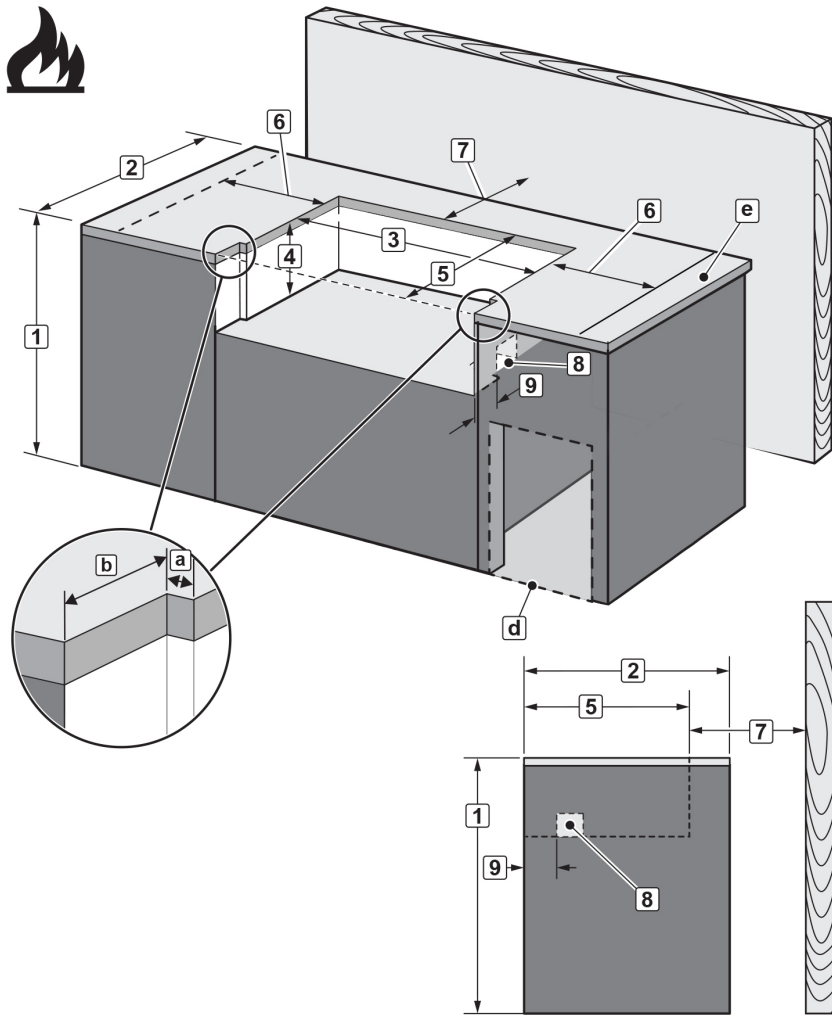
CONSTRUCTION DETAILS

DRAW UP YOUR PLANS

Now that you've decided on the perfect location for your barbecue, it's time to draw up working plans for the structure.

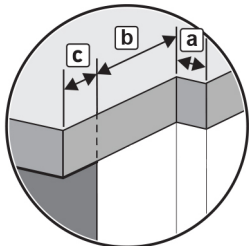
The following charts outline dimensions for constructing near combustible or noncombustible materials. Follow the chart that applies to your determined location.

LOCATING THE STRUCTURE NEAR A COMBUSTIBLE WALL



⚠ WARNING: Notch depth (b) must not exceed 65 mm. This prevents the ventilation holes in the side of the built in unit from being obstructed which may cause the barbecue to overheat, alter its performance and may affect your warranty.

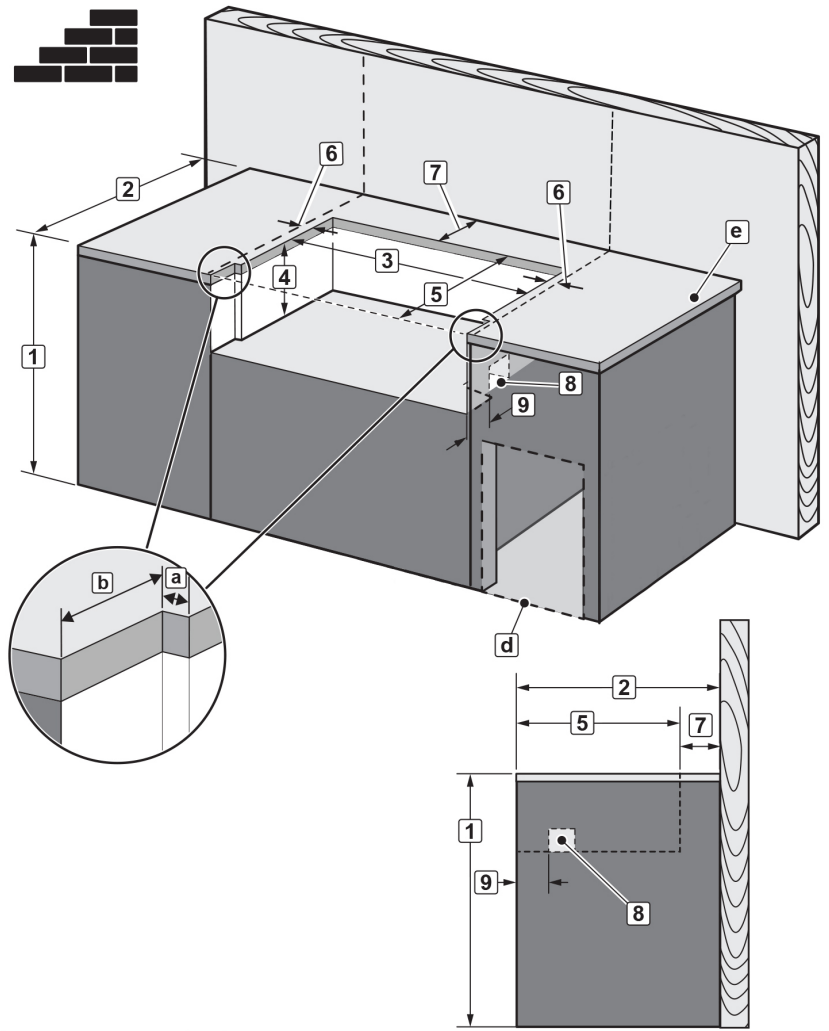
It is important to note that if your countertop has an overhang depth (c) must be added to the notched depth (b). See below.



DIMENSIONS		DECIPTION
1	813 mm (32")	Minimum countertop height.
2	660 mm (25.98")	Minimum countertop depth.
3	820 mm minimum (32.28")	Barbecue cutout width. Tolerance should only be up to an additional 2 mm.
4	230 mm minimum (9.05")	Barbecue cutout height. Tolerance should only be up to an additional 3 mm
5	570 mm minimum (22.44")	Barbecue cutout depth. Tolerance should only be up to an additional 6 mm.
6	380 mm (14.96")	Minimum from side cutout edge to combustible construction.
7	299 mm (11.77")	Minimum from rear cutout edge to combustible construction.
8	89 mm (3.5") X 89 mm (3.5")	Gas supply hose knockout (can be on side or bottom of barbecue cutout).
9	80 mm (3.14")	Setback for gas supply hose knockout.
a	25 mm (0.98") wide notch on both sides of the leading edge of the countertop. Maximum tolerance +2 mm.	
b	65 mm (2.55") allowance for barbecue to fit against the face of the built in structure.	
c	Allowance for countertop overhang. Typically 20 mm (0.78").	
d	Suggested gas supply compartment access.	
e	The countertop must be level from front to back and side to side for proper drainage.	

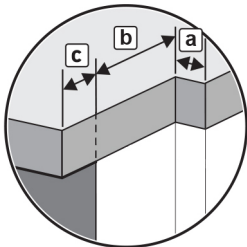
CONSTRUCTION DETAILS

LOCATING THE STRUCTURE NEAR A NONCOMBUSTIBLE WALL



⚠ WARNING: Notch depth (b) must not exceed 65 mm. This prevents the ventilation holes in the side of the built in unit from being obstructed which may cause the barbecue to overheat, alter its performance and may affect your warranty.

It is important to note that if your countertop has an overhang depth (c) must be added to the notched depth (b). See below.



DIMENSIONS		DESCRIPTION
1	813 mm (32")	Minimum countertop height.
2	660 mm (25.98")	Minimum countertop depth.
3	820 mm (32.28") minimum	Barbecue cutout width. Tolerance should only be up to an additional 2 mm.
4	230 mm (9.05") minimum	Barbecue cutout height. Tolerance should only be up to an additional 3 mm
5	570 mm (22.44") minimum	Barbecue cutout depth. Tolerance should only be up to an additional 6 mm.
6	27 mm (1.06")	Minimum from side cutout edge to noncombustible construction.
7	89 mm (3.5")	Minimum from rear cutout edge to noncombustible construction.
8	89 mm (3.5") X 89 mm (3.5")	Gas supply hose knockout (can be on side or bottom of barbecue cutout).
9	80 mm (3.14")	Setback for gas supply hose knockout.
a	25 mm (0.98") wide notch on both sides of the leading edge of the countertop. Maximum tolerance +2 mm.	
b	65 mm (2.55") allowance for barbecue to fit against the face of the built in structure.	
c	Allowance for countertop overhang. Typically 20 mm (0.78").	
d	Suggested gas supply compartment access.	
e	The countertop must be level from front to back and side to side for proper drainage.	

PREPARING TO INSTALL

PERFORMING A LEAK CHECK BEFORE INSTALLATION

All factory made connections have been thoroughly checked for gas leaks. The burners have been flame tested. As a safety precaution, however, you should recheck all fittings for leaks before using your WEBER gas barbecue. Gas fittings can become loose or damaged during shipping.

PREPARING YOUR BARBECUE FOR A LEAK CHECK

Place the Q3600N+ built-in gas barbecue assembly on a table or other stable raised surface. Place the LPG cylinder on the ground next to the table. This will enable you to safely connect the barbecue to the LPG cylinder outside of your built-in structure and perform a leak check.

Partial Disassembly of the Barbecue

To perform a complete leak check, it is necessary to remove the cookbox to gain access to the gas train.

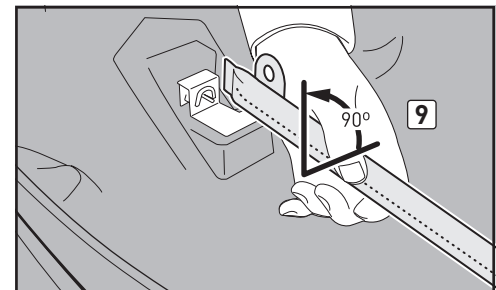
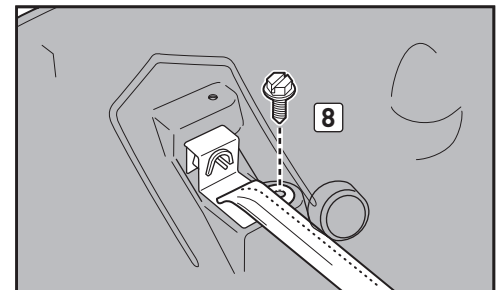
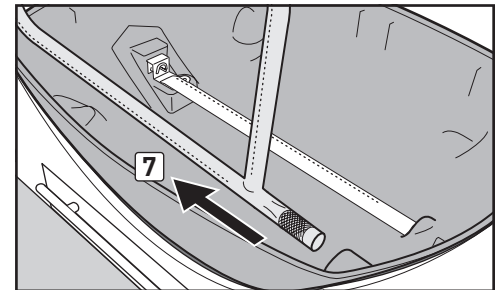
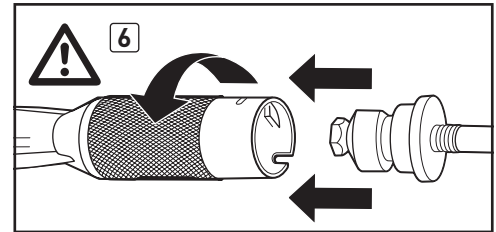
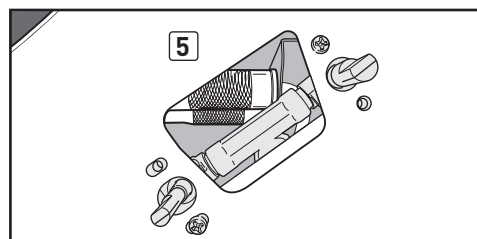
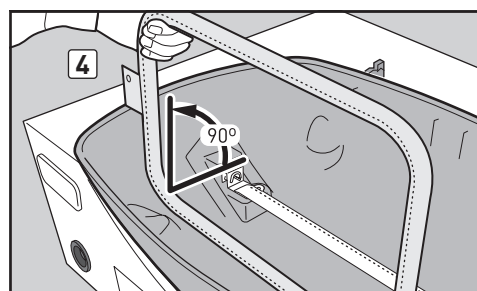
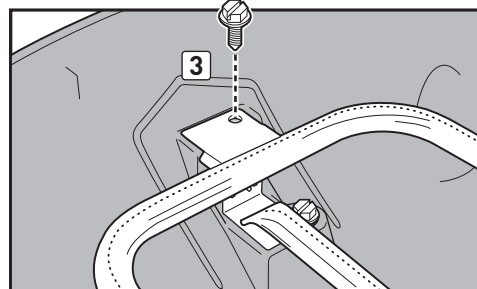
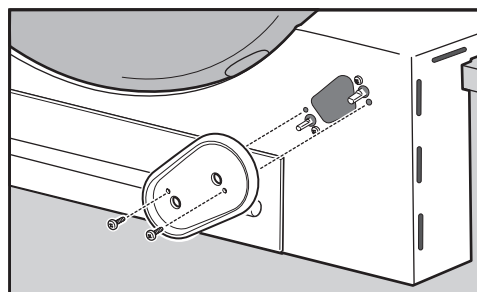
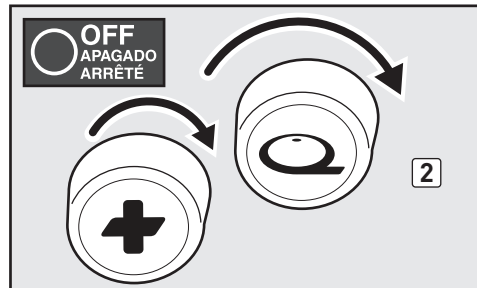
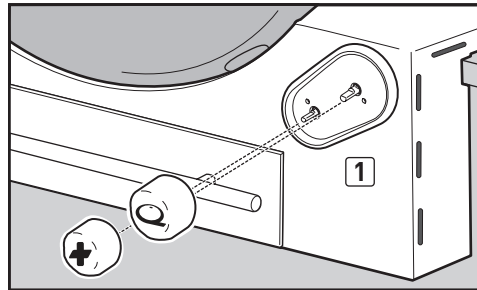
- A) Install control knobs (1).
- B) Check that BOTH burner control knobs are in the off (O) position (2). Burner controls are shipped in the off (O) position, but you should be sure that they are turned off. Verify by pushing burner control knobs in and turning them clockwise. If they do not turn, they are off. If they do turn, continue turning them clockwise until they stop.
- C) Remove the control knobs and bezel and set aside.

Remove Burner Tubes

You will need: A 3/8" nut driver.

- A) Remove the screw that secures the outside burner tube to the cookbox (3).
- B) Rotate the outside burner tube 90° (4) to unlock it from the valve orifice. Looking through the view port (5) slide the burner tube away from the valve orifice (6) and remove from cookbox (7).
- C) Remove the screw that secures the inside burner tube to the cookbox (8).
- D) Rotate the inside burner tube 90° (9) to unlock it from the valve orifice. Looking through the view port again (5), slide the burner tube away from the valve orifice (6) and remove from cookbox.

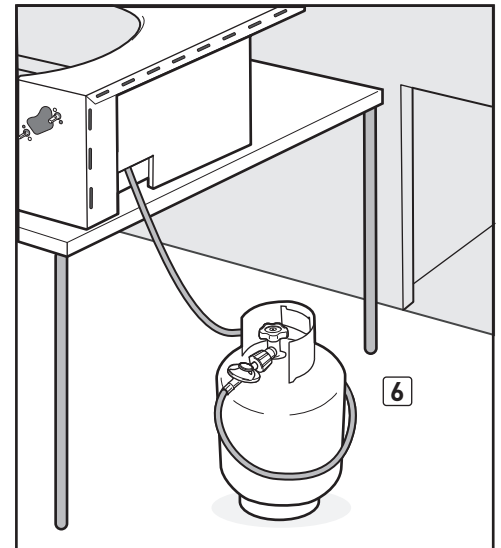
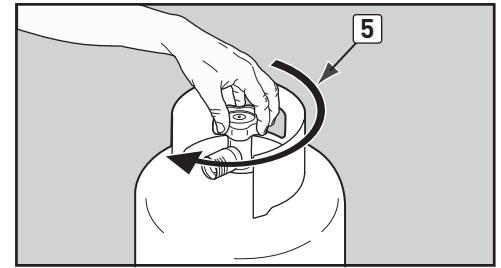
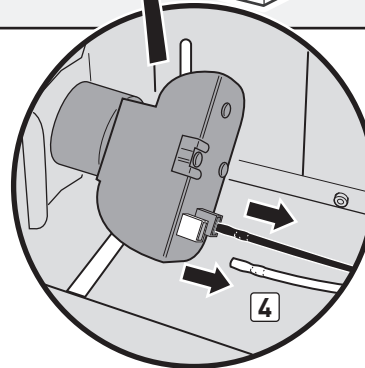
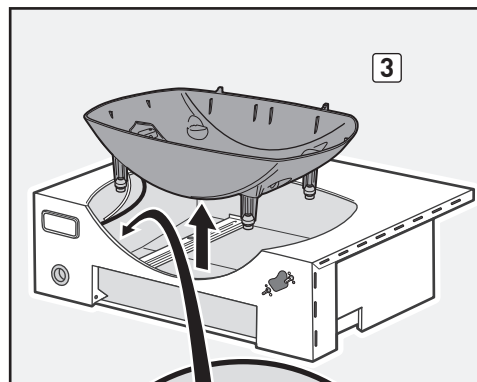
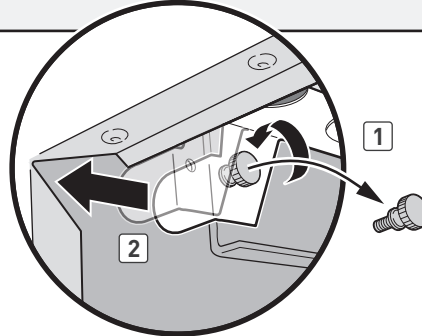
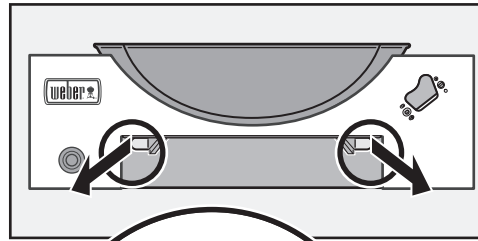
- ⚠ **CAUTION:** Care must be taken when removing or reinstalling burner tubes. Do not force or bend the gas lines within the manifold assembly.



PREPARING TO INSTALL

Remove the Cookbox

- A) Remove the left and right cookbox retainer thumb screws (1).
- B) Slide cookbox retainers towards you (2).
- C) Lift the cookbox out of the stainless steel cabinet (3) and disconnect the igniter wires (4) from the ignition module. Carefully set the cookbox aside.



CONNECTING THE HOSE & REGULATOR TO THE LPG CYLINDER

You will now have to make a temporary gas connection to an LPG cylinder to perform a leak check.

⚠ WARNING: Make sure that the LPG cylinder valve is closed. Close by turning the valve clockwise (5).

- A) Place the LPG Cylinder upright on a level surface (6). Do not place the LPG cylinder on its side.
- B) Connect regulator to cylinder.

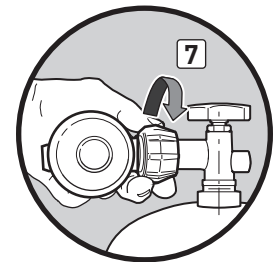
Connect by Turning Clockwise

Screw regulator onto LPG cylinder by turning fitting clockwise (7). **Hand-tighten only.**

⚠ WARNING: Do not use a wrench to tighten the connection. Using a wrench could damage the regulator coupling and could cause a leak.

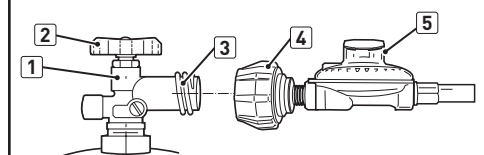
⚠ WARNING: No sealant is required on the fitting. Do not use pipe dope, tape, or any other sealant on the fitting or LPG cylinder.

Your barbecue is now ready for a leak check. Proceed to "CHECKING FOR GAS LEAKS."



The minimum LPG cylinder capacity for this barbecue is 9 kg.

REGULATOR CONNECTION



1	Valve
2	Handwheel – close clockwise
3	External Thread
4	Thermally Sensitive Nut – tighten clockwise
5	Regulator Vent Hole

PREPARING TO INSTALL

⚠ DANGER

Do not use an open flame to check for gas leaks. Be sure that there are no sparks or open flames in the area while you check for leaks. Sparks or open flames will result in a fire or explosion, which can cause serious bodily injury or death and damage to property.

CHECKING FOR GAS LEAKS

You will need: A spray bottle, brush, or rag, and a soap and water solution. You can make your own soap and water solution by mixing 20% liquid soap with 80% water; or, you can purchase leak check solution in the plumbing section of any hardware store.

- A) Turn gas supply on at the source.
- B) To check for leaks, wet fittings with the soap and water solution, using a spray bottle, brush, or rag. If bubbles form, or if a bubble grows, there is a leak. Apply the soap and water solution to the following connections:
 - a) Manifold extension hose-to-manifold connection (1).
 - b) Manifold extension hose-to-main bulkhead connection (2).
 - c) Hose-to-main bulkhead connection (3).
 - d) Regulator hose-to-regulator connection (4).
 - e) Regulator to LPG cylinder connection (5).

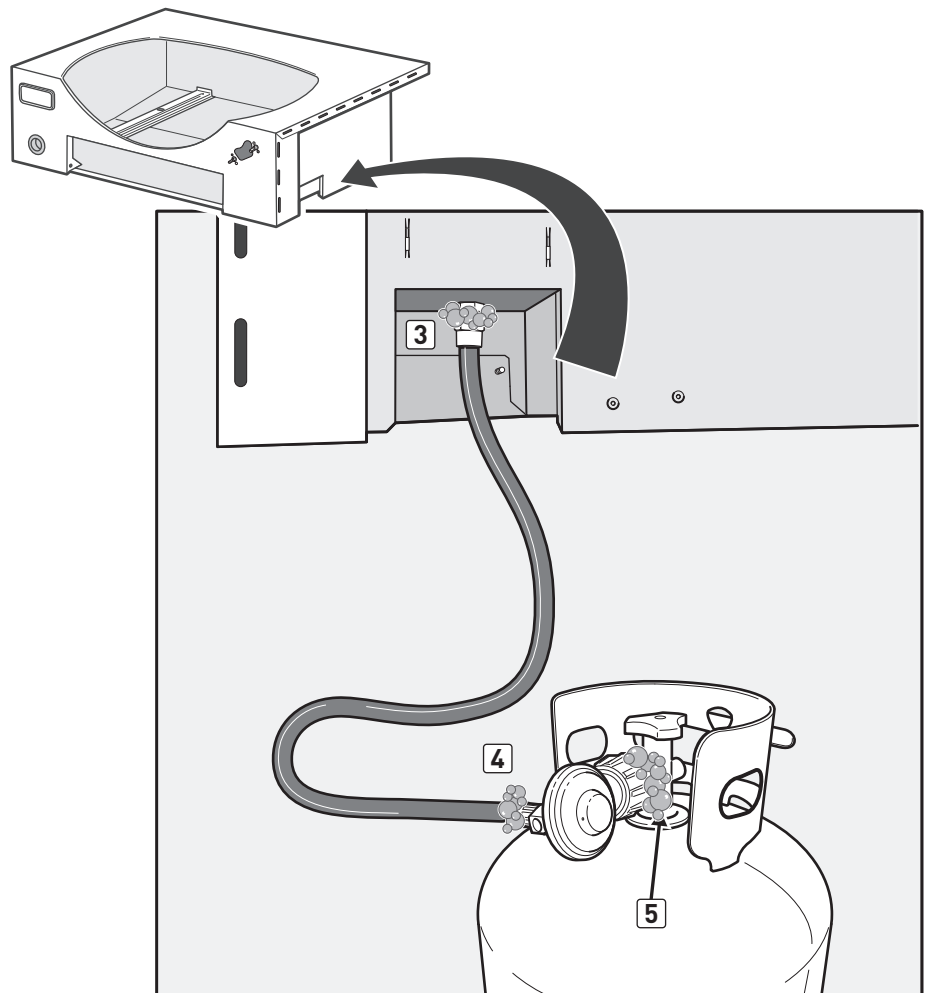
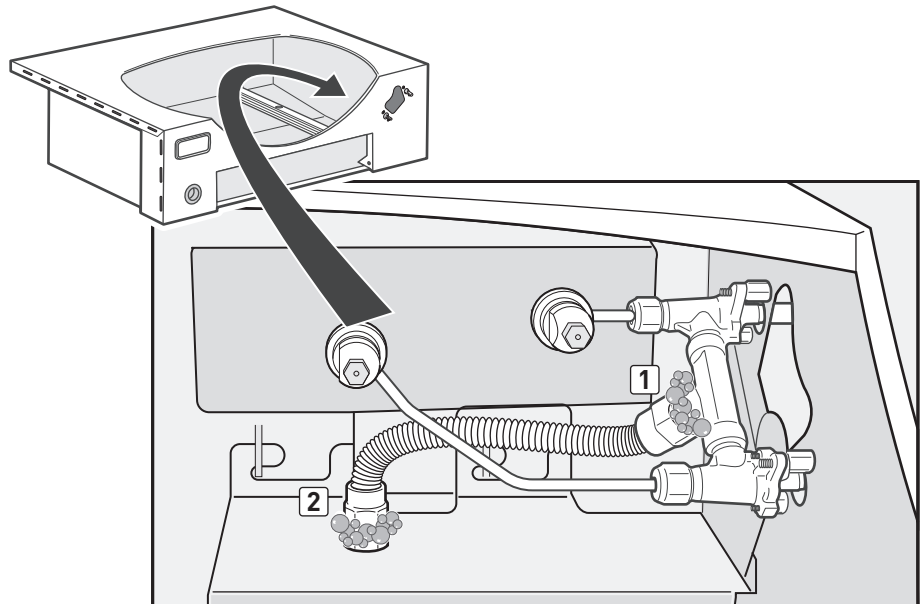
⚠ WARNING: If there is a leak at connections (1, 2, or 3), turn off the gas, tighten the fitting with a spanner, and recheck for leaks with soap and water solution. If a leak persists after tightening the fitting, turn off the gas.

DO NOT OPERATE THE BARBECUE. Contact the Customer Service Representative in your area using the contact information on our web site. Log onto www.weber.com.

⚠ WARNING: If there is a leak at connection (4 or 5), turn off the gas. DO NOT OPERATE THE BARBECUE. Contact the Customer Service Representative in your area using the contact information on our web site. Log onto www.weber.com.

- C) When leak check is complete, turn gas supply off at the source and rinse connections with water.

NOTE: Since some leak test solutions, including soap and water, may be slightly corrosive, all connections should be rinsed with water after checking for leaks.



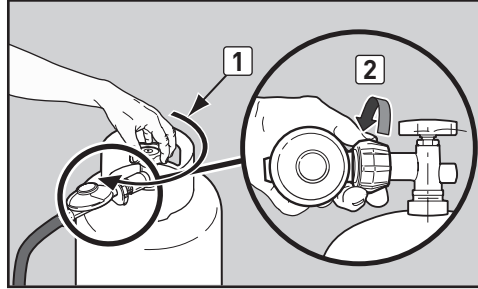
PREPARING TO INSTALL

REASSEMBLY FOR PERMANENT INSTALLATION

Disconnect Gas Supply

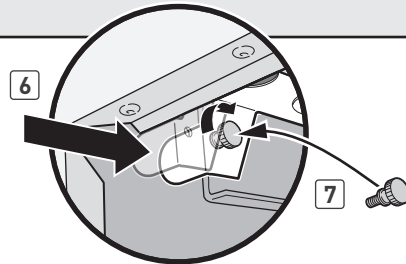
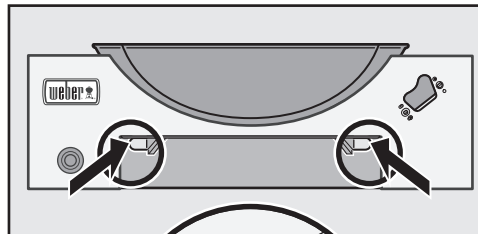
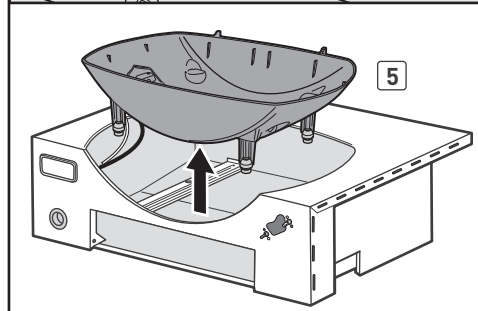
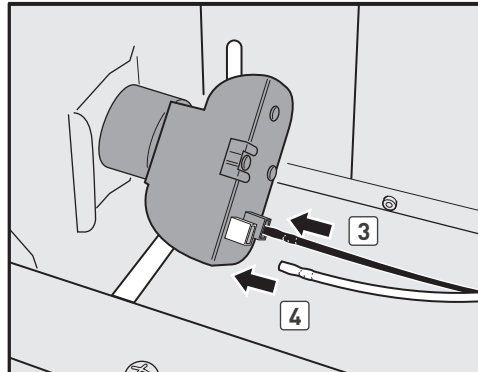
⚠ **CAUTION: You MUST disconnect the gas supply at the coupling.**

- A) Close the LPG cylinder valve by turning it clockwise (1).
- B) Disconnect the regulator from the LPG cylinder (2).



Reinstall Cookbox.

- A) Reattach both igniter wires to the igniter module. Black wire to black terminal (3), white wire to white terminal (4). Be sure that the white wire is firmly attached to the igniter electrode, and that the electrode is in its proper position in the cookbox.
- B) Carefully place the cookbox back into the built-in cabinet making sure not to pinch or crush the igniter wires (5).
- C) Slide cookbox retainers back in (6) and replace thumb screws (7).



PREPARING TO INSTALL

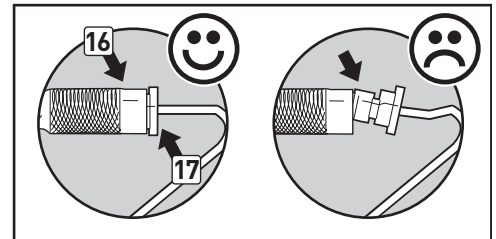
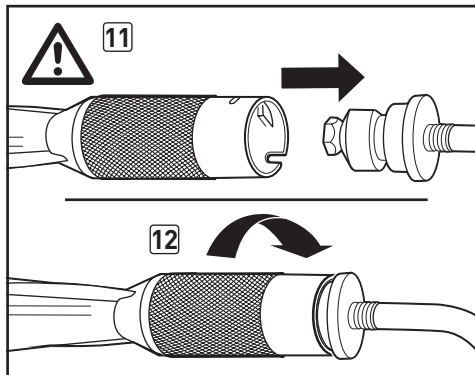
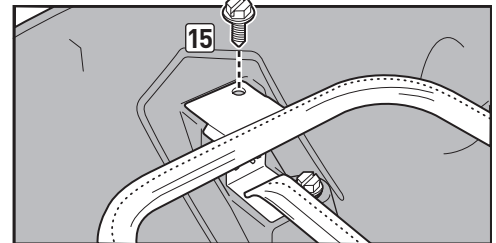
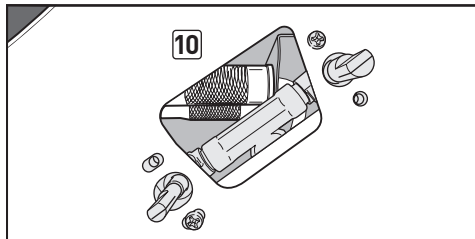
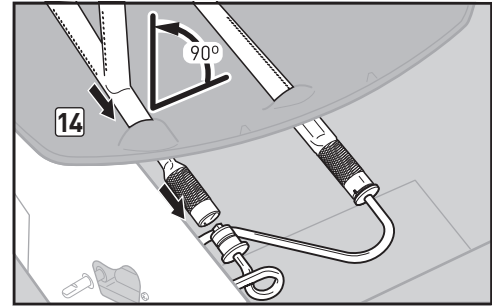
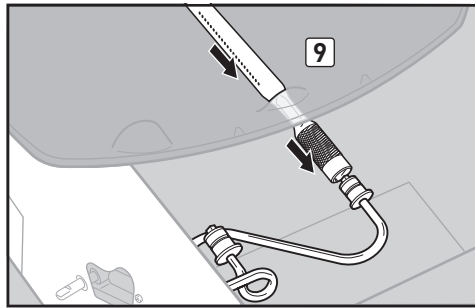
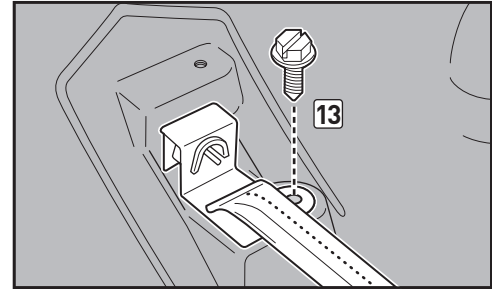
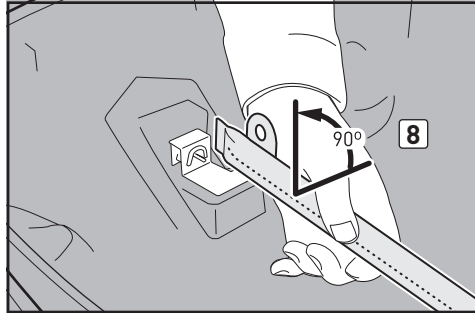
Reinstall Burner Tubes

You will need: A 3/8" nut driver.

- A) While holding the inside burner tube with the mounting bracket rotated up 90° (8), carefully slide the burner tube back into the hole on the right side of cookbox (9). Looking through the view port on the front panel of the cabinet (10), align the locking tab of the burner tube opening with valve orifice (11). Rotate the burner tube 90° to the flat position to lock it to the valve orifice (12).
- B) Check that igniter electrode is properly seated under burner tube and reinstall screw that secures the inside burner tube to the cookbox (13).
- C) Holding the outside burner tube with the mounting bracket rotated up 90°, carefully slide the burner tube back into the hole on the right side of cookbox (14). Looking through the view port on the front panel of the cabinet (10), align the locking tab of the burner tube opening with valve orifice (11). Rotate the burner tube 90° to the flat position to lock it to the valve orifice (12).
- D) Reinstall screw that secures the outside burner tube to the cookbox (15).

⚠ **CAUTION:** The burner tube openings (16) must be positioned properly over the valve orifices (17).

⚠ **WARNING:** You should check for gas leaks every time you disconnect and reconnect a gas fitting. Refer to "CHECKING FOR GAS LEAKS."

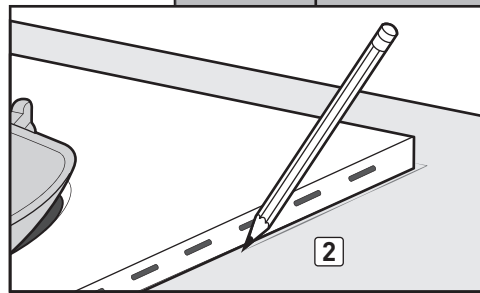


TEST FITTING AND INSTALLING THE BARBECUE UNIT INTO THE STRUCTURE

Once the leak check is complete, it's important to test fit the barbecue unit into the structure. Ensure proper clearances and support before permanently mounting your barbecue.

Test Fitting the Barbecue into the Structure

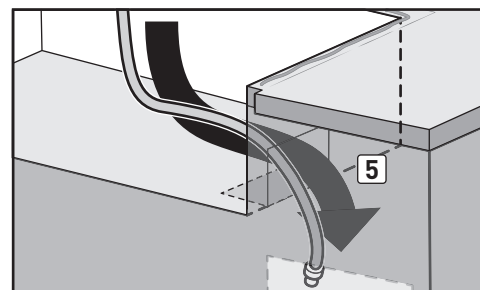
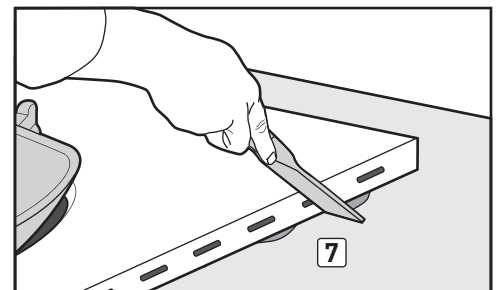
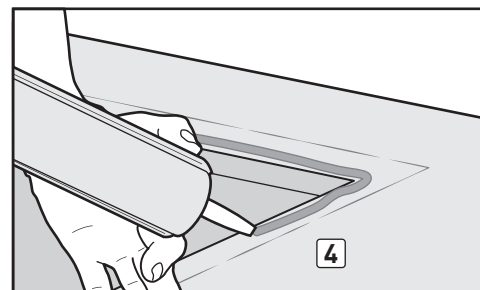
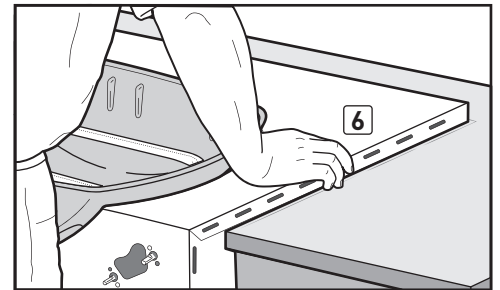
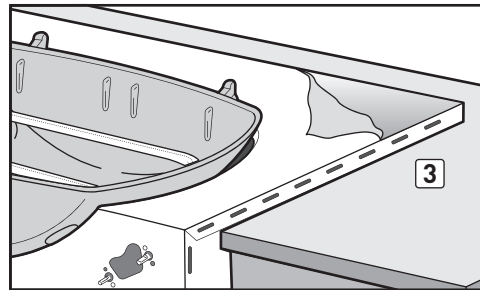
- A) Carefully feed hose and regulator through opening in your barbecue structure (1), and set the barbecue unit into place.
- B) Make sure that the barbecue unit is centered in the opening, and that the surface of the countertop provides sufficient support for the mounting flange.
- C) Once you are comfortable with the fit and placement of the barbecue in the opening, make a light pencil mark (2) on the countertop around the barbecue unit.
- D) Remove the unit from the structure.
- E) Check that the prepared surfaces of the structure are flat and free of any loose material.



Installing the Barbecue into the Structure

You will need: silicone designed for use on metal and masonry surfaces in outdoor weather applications.

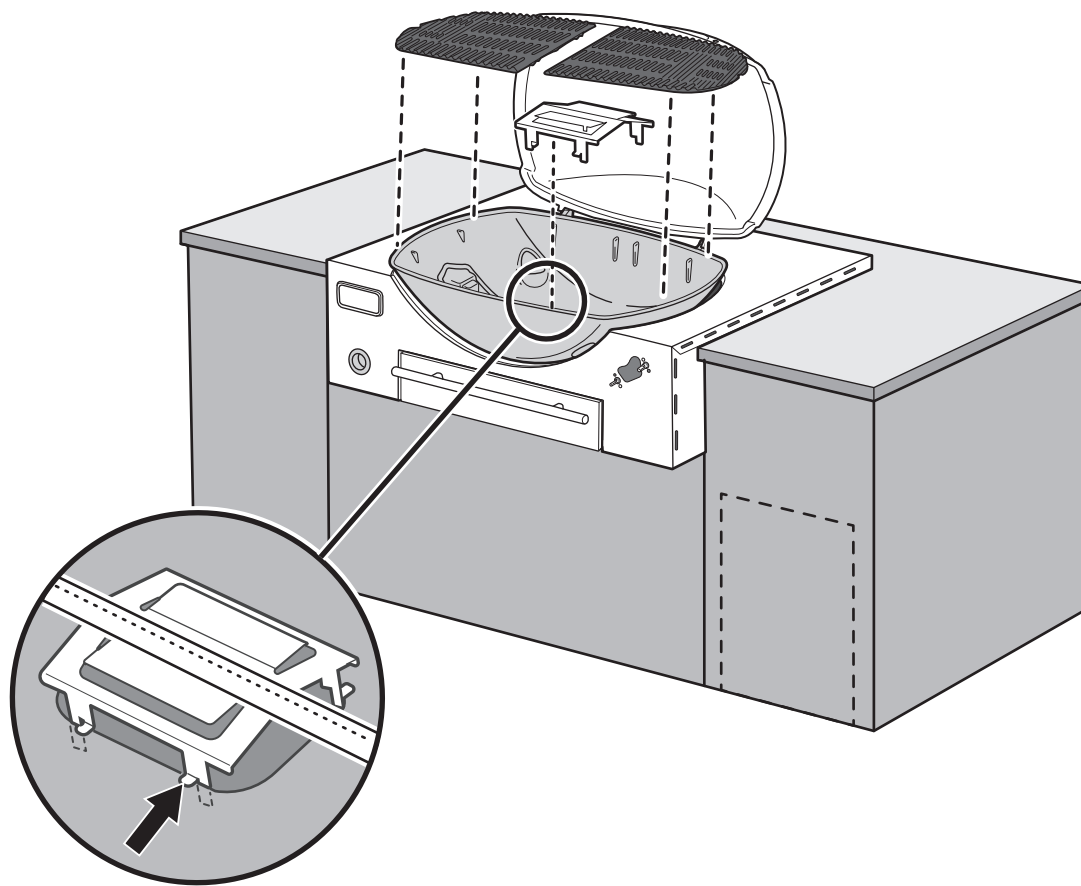
- F) Remove the protective film from the stainless steel barbecue cabinet (3).
- G) Apply a small amount of silicone to the area inside of the pencil line (4).
- H) Again, carefully feed the hose and regulator through the opening in the structure (5), and carefully set the unit into place.
- I) Firmly press the barbecue unit to confirm full contact onto the silicone (6), verifying alignment to pencil line.
- J) Using a plastic putty knife, remove any excess silicone from around the edge of the barbecue before it has set (7).



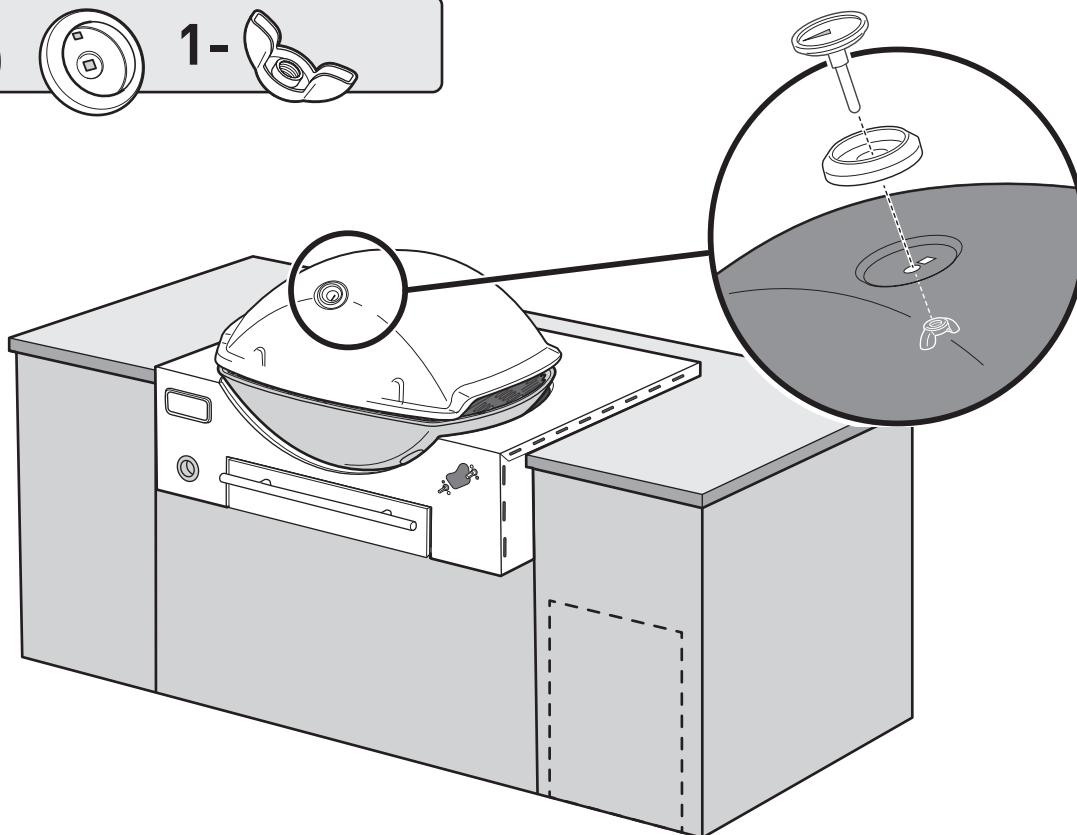
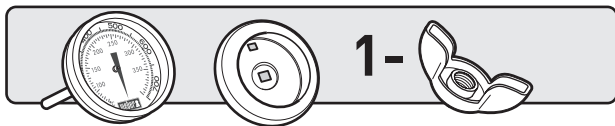
IMPORTANT: Use care not to twist or kink gas line when test fitting the barbecue.
IMPORTANT: Remove protective film from stainless steel parts before installing.

FINAL ASSEMBLY

1



2

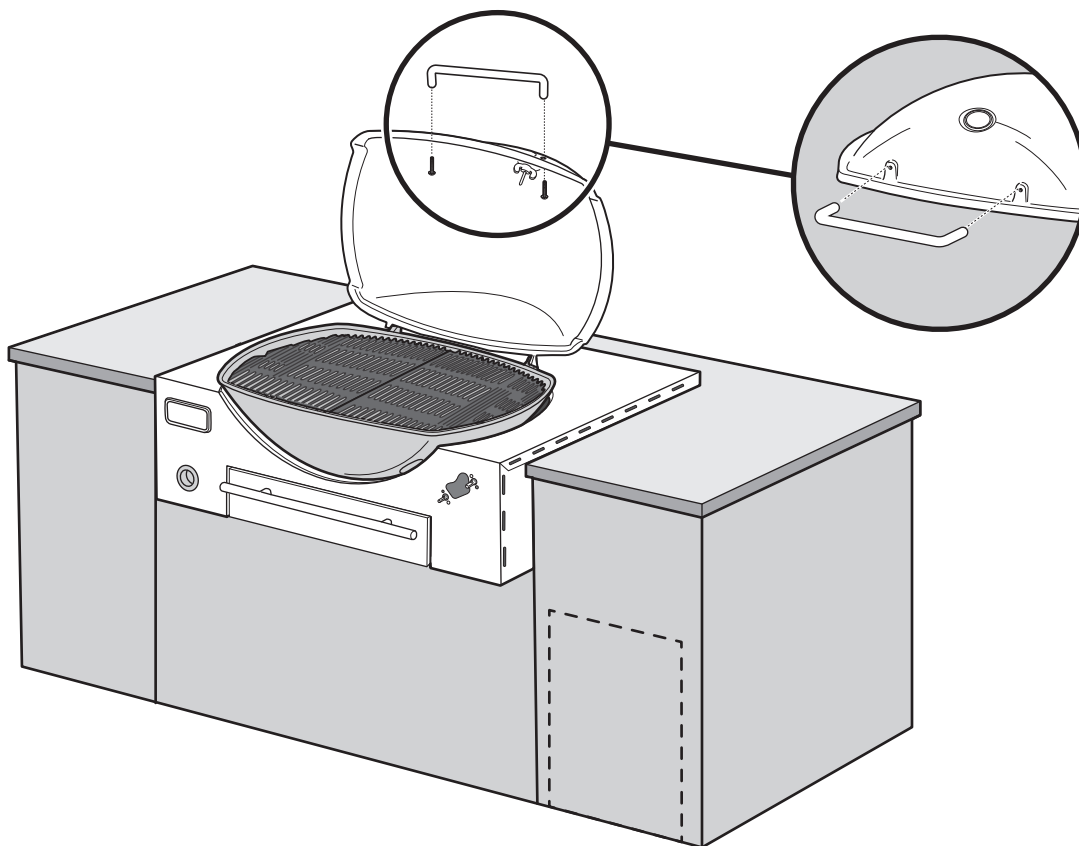
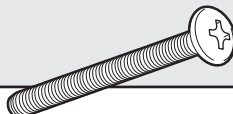


FINAL ASSEMBLY

3

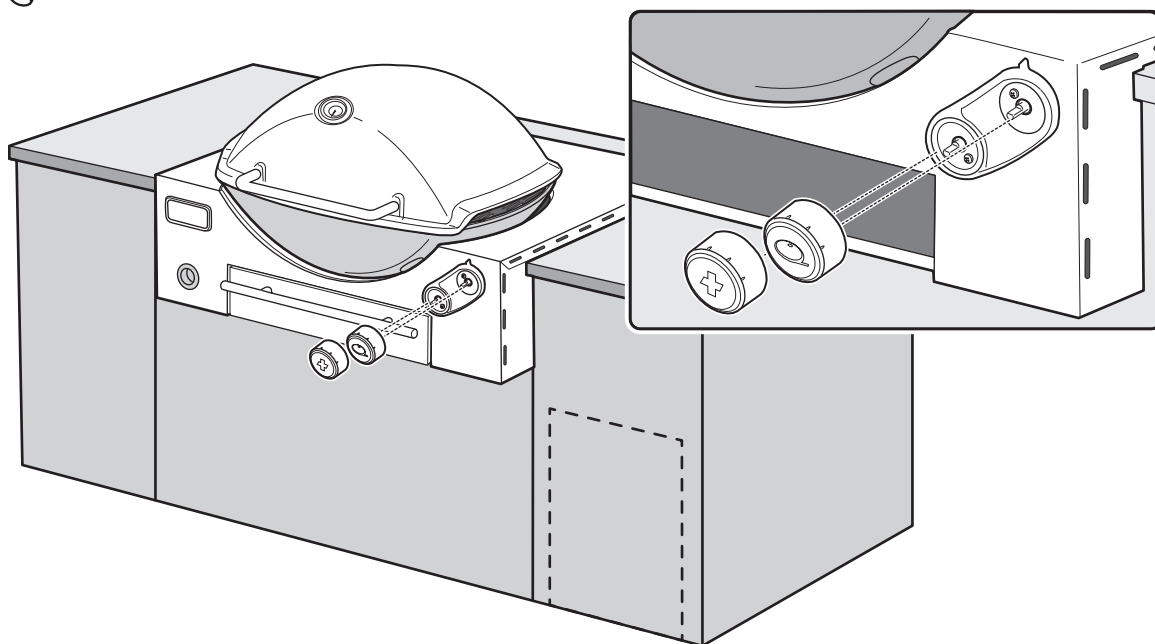
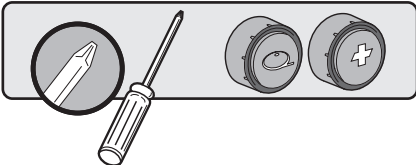


2-

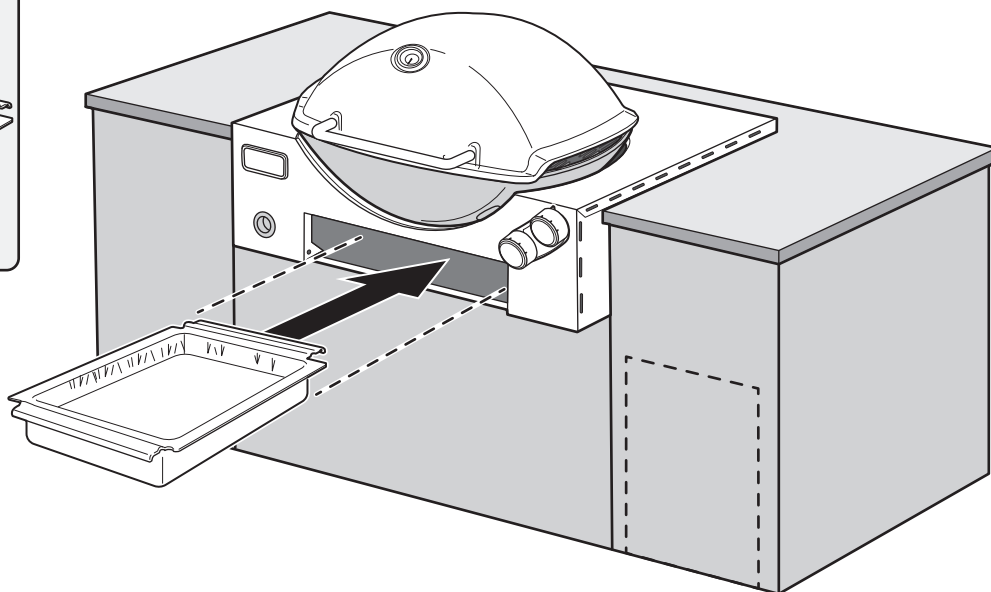
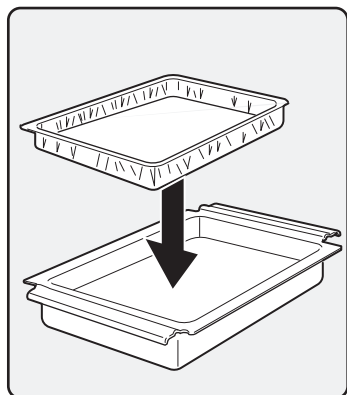
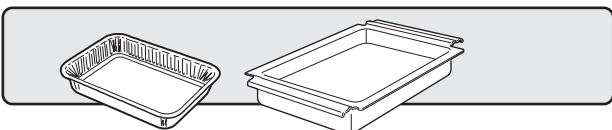


FINAL ASSEMBLY

4



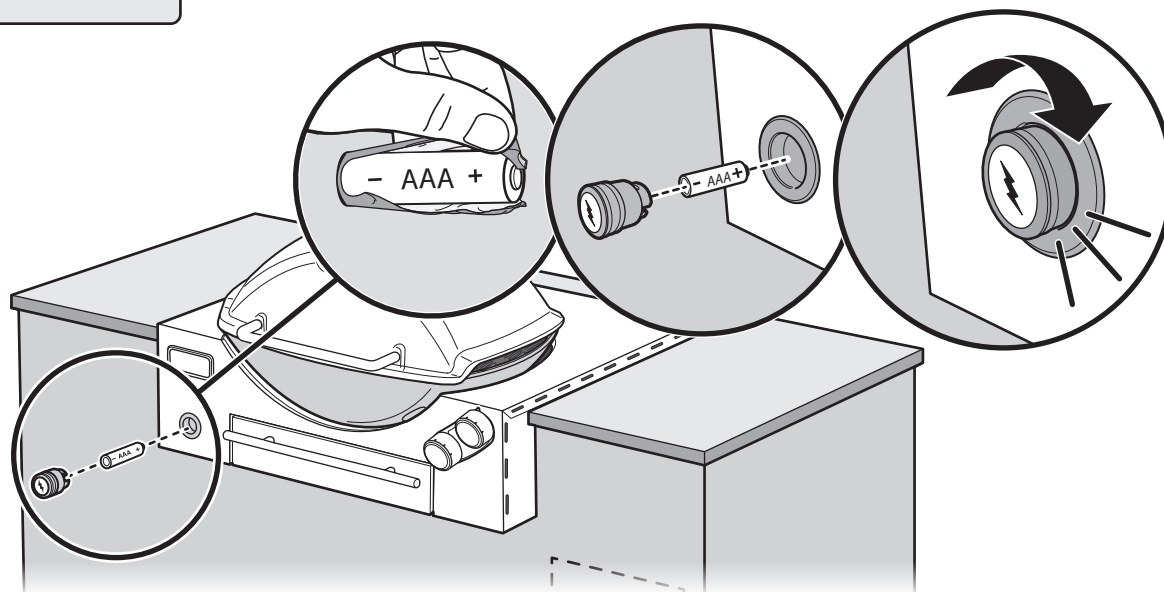
5



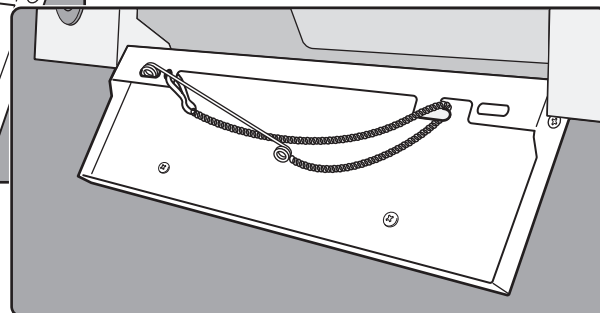
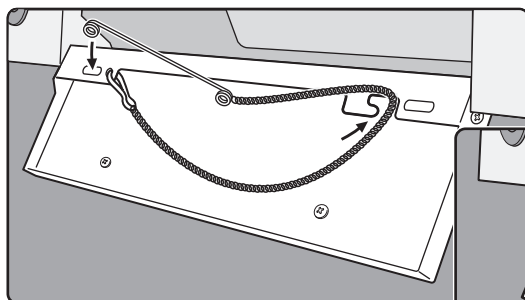
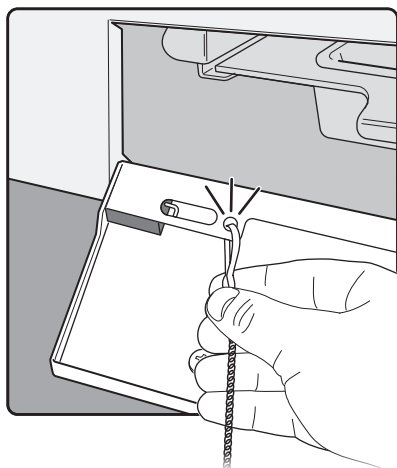
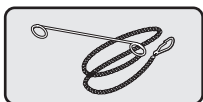
FINAL ASSEMBLY

6

1-  + AAA -



7

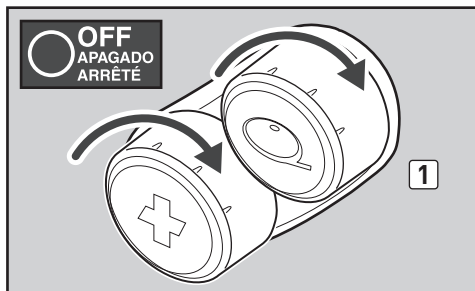


FINAL GAS SUPPLY CONNECTION

CONNECTING THE HOSE / REGULATOR TO THE LPG CYLINDER

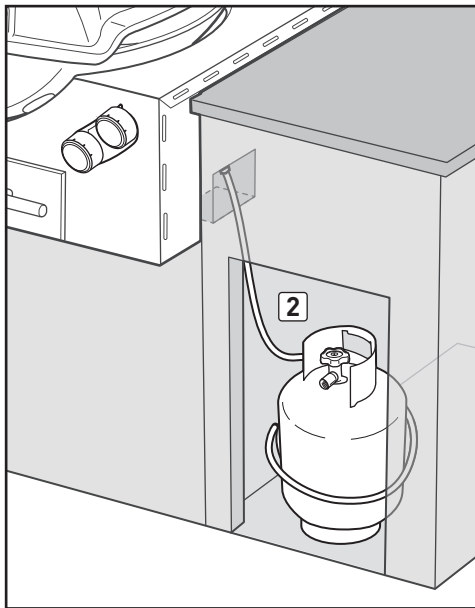
Now that your barbecue is installed and fully assembled, it is time to make the final gas connection.

- A) Check that **BOTH** burner control knobs are in the off (O) position by pushing burner control knobs in and turning them clockwise until they stop (1).



Install the LPG Cylinder

- A) Install the LPG Cylinder upright on a level surface inside the cylinder compartment. Do not place the LPG cylinder on its side (2).
B) Turn the LPG cylinder so that the opening of the valve is facing the front or side of the cylinder enclosure.



- ⚠ **WARNING: Make sure that the LPG cylinder valve is closed. Close by turning valve clockwise (3).**

Connect the Regulator / Hose to the LPG Cylinder

- A) Connect regulator to cylinder.

Connect by Turning Clockwise

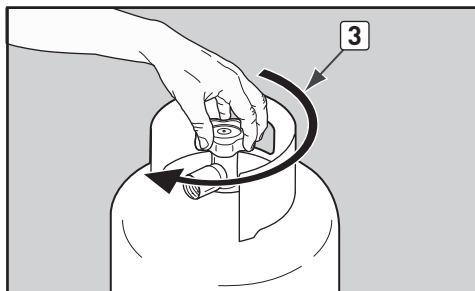
Screw regulator onto LPG cylinder by turning fitting clockwise (4). **Hand-tighten only.**

CHECKING FOR GAS LEAKS

You will need: A spray bottle, brush, or rag, and a soap and water solution. You can make your own soap and water solution by mixing 20% liquid soap with 80% water; or, you can purchase leak check solution in the plumbing section of any hardware store.

- A) Turn gas supply on at the source.
B) To check for leaks, wet fittings with the soap and water solution, using a spray bottle, brush, or rag. If bubbles form, or if a bubble grows, there is a leak. Apply the soap and water solution to the connection:
a) Regulator hose-to-regulator connection (5).
b) Regulator-to-LPG cylinder connection (6).

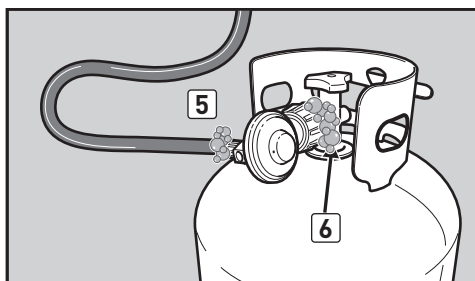
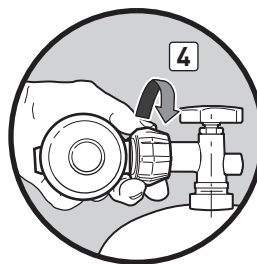
- ⚠ **WARNING: If there is a leak at connection (4 or 5), turn off the gas. DO NOT OPERATE THE BARBECUE. Contact the Customer Service Representative in your area using the contact information on our web site. Log onto www.weber.com.**



- C) When leak checking is complete, turn gas supply off at the source and rinse connections with water.

NOTE: Since some leak test solutions, including soap and water, may be slightly corrosive, all connections should be rinsed with water after checking for leaks.

You are now ready to barbecue. Refer to your Owners Guide to learn how to operate your barbecue.



⚠ ATTENTION: This product has been safety tested and is only certified for use in a specific country. Refer to country designation located on outer carton.

These parts may be gas carrying or gas burning components. Please contact Weber-Stephen Products LLC Customer Service Department for genuine Weber-Stephen Products LLC replacement part(s) information.

⚠ WARNING: Do not attempt to make any repair to gas carrying, gas burning, igniter components, or structural components without contacting Weber-Stephen Products LLC Customer Service Department. Your actions, if you fail to follow this Product Warning, may cause a fire, an explosion, or structural failure resulting in serious personal injury or death as well as damage to property.

Australian Representative

Weber-Stephen Products Co. (Australia) Pty Ltd

ABN 18 006 305 237

Level 1, 142-144 Fullarton Road, Rose Park, South Australia, 5067.

Consumer information phone 1300 301 290.

To learn more or to register your Weber® barbecue online,
visit www.weber.com/au

New Zealand Representative

Weber-Stephen Products New Zealand

CN 4425758

Unit D, 86 Highbrook Drive, Highbrook Park, East Tamaki, Auckland, 2013.

Consumer information phone 0800 493 237.

To learn more or to register your Weber® barbecue online,
visit www.weber.com/nz



Weber-Stephen Products LLC

www.weber.com

© 2024 Designed and engineered by Weber-Stephen Products LLC,
1415 S. Roselle Road, Palatine, Illinois 60067 USA.